

THIS DRAWING IS UNPUBLISHED.

RELEASED FOR PUBLICATION

© COPYRIGHT BY TYCO ELECTRONICS CORPORATION.

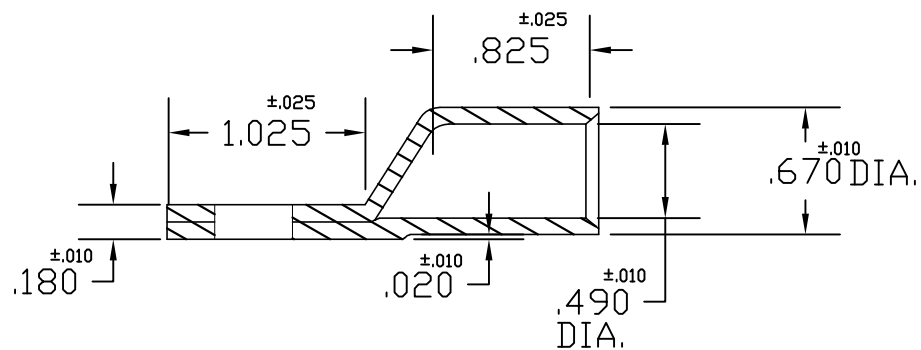
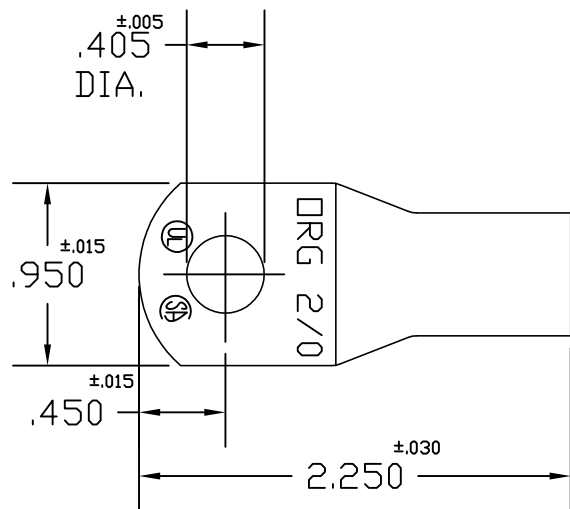
ALL RIGHTS RESERVED.

LOC  
G

DIST  
50

REVISIONS

P	LTR	DESCRIPTION	DATE	DWN	APVD
	B	REV PER ECR 07-013709	15JUN07	JR	DD



ACTIVE	20389	STANDARD	TIN PLATE	1526055-2
STATUS	AET P/N	PACKAGING	FINISH	PART NUMBER

THIS DRAWING IS A CONTROLLED DOCUMENT.		DWN D.A.A 1/23/01	Tyco Electronics Corporation Harrisburg, PA 17105-3608		
DIMENSIONS: INCHES	TOLERANCES UNLESS OTHERWISE SPECIFIED:	CHK H.D.F 1/23/01	NAME #2/0 SUPER LUG		
	0 PLC ± -	APVD H.D.F 1/23/01	PRODUCT SPEC		
	1 PLC ± -		APPLICATION SPEC		
MATERIAL COPPER ASTM B-75	FINISH -	WEIGHT -	SIZE A3	CAGE CODE 00779	DRAWING NO G-1526055
CUSTOMER DRAWING			RESTRICTED TO -	SCALE 1:1	SHEET 1 OF 1
			REV B		